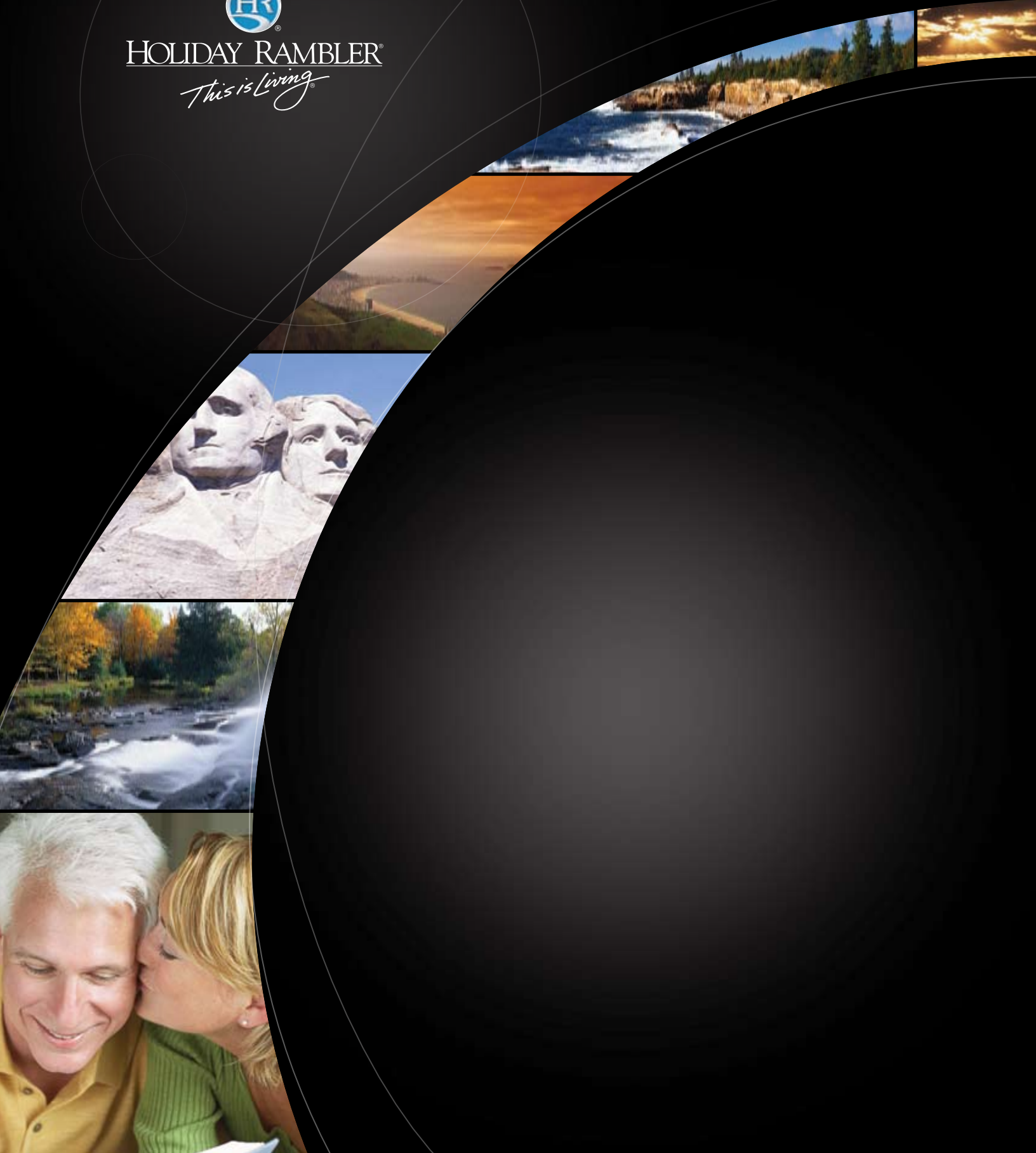




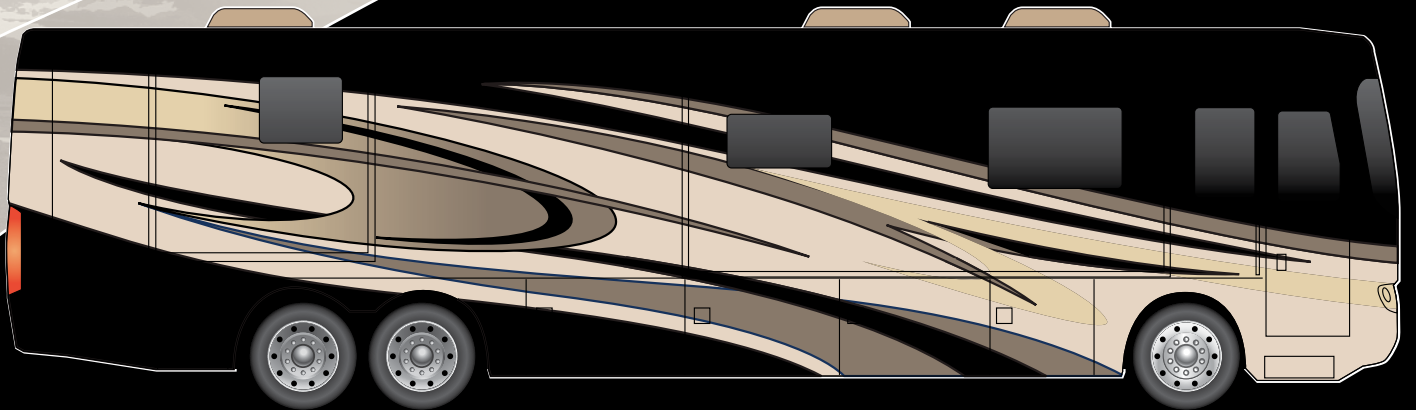
HOLIDAY RAMBLER®

This is Living

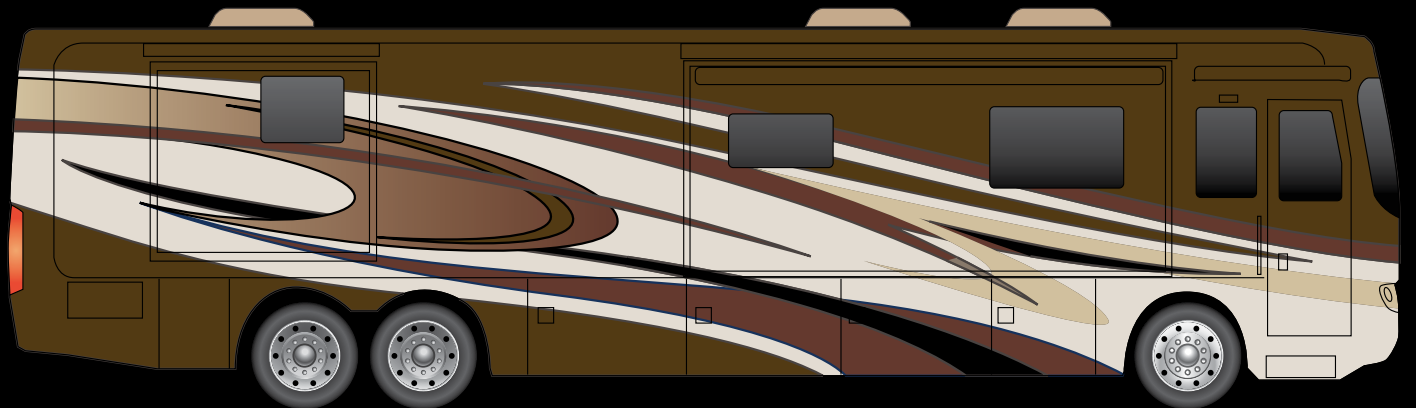


CHOOSE WITH CONFIDENCE.

Rich greens, warm reds, tasteful golds and silvers. These are the choices Imperial presents. Each of our exclusive collections of exterior colors, fabrics, wood finishes and flooring is designed to create an atmosphere of welcoming elegance. So regardless of which color scheme you choose, you know it's going to look great.



SILVER MINK II



CINNABAR PORT



IMPERIAL HARDWARE

Our elegant cabinet hardware design features a polished brass finish.



BETTER
STAIN
PROTECTION

Manufactured in, not added on. For added protection against stains, soil repellent is applied to virtually all upholstery fabric during the finishing process for superior coverage.*

*Brand and application of upholstery fabric protection may vary depending on date recreational vehicle was manufactured.



NATURAL OAK



STAINED OAK



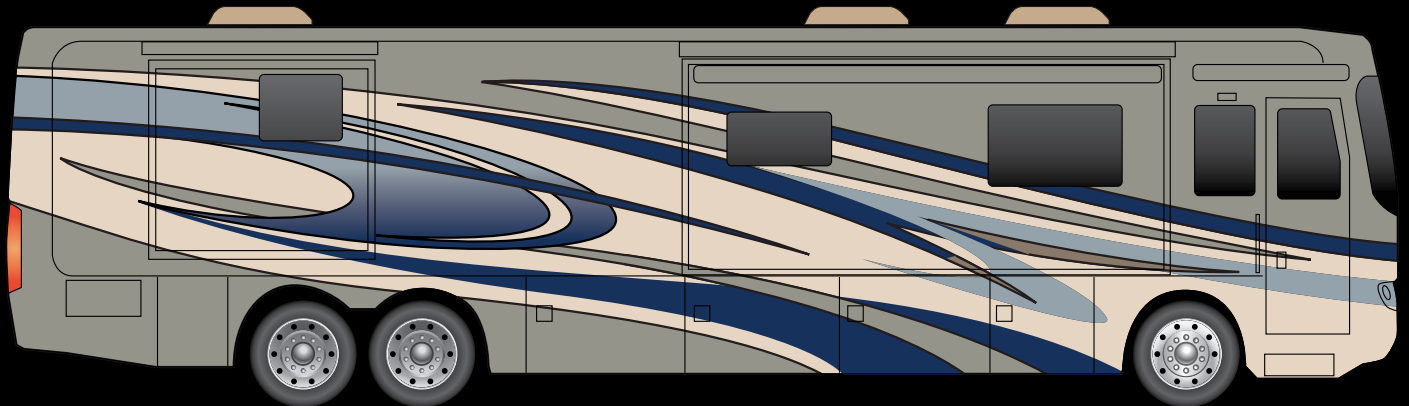
NATURAL MAPLE



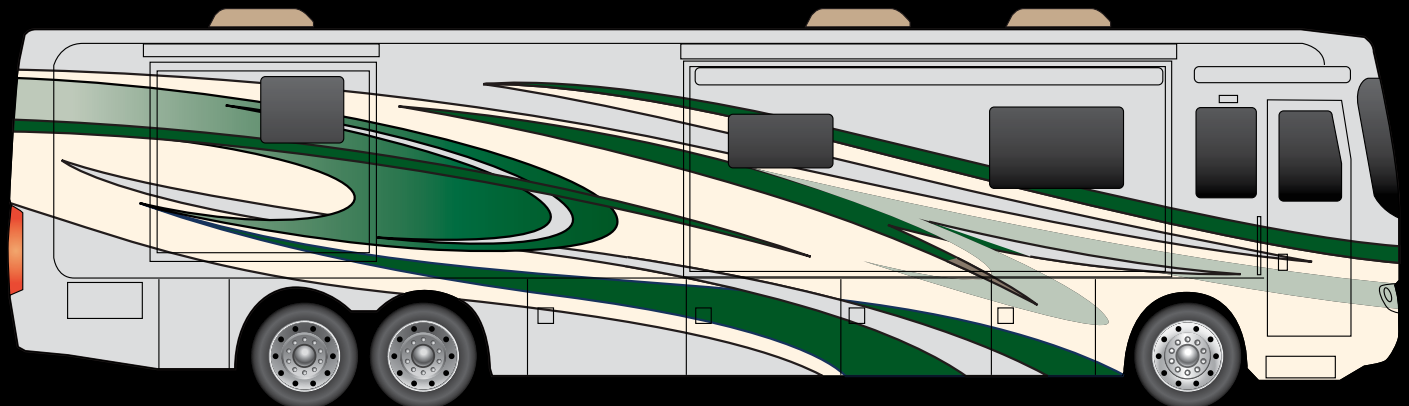
NATURAL CHERRY



STAINED CHERRY



RIVIERA SANDS



SPRING MEADOW

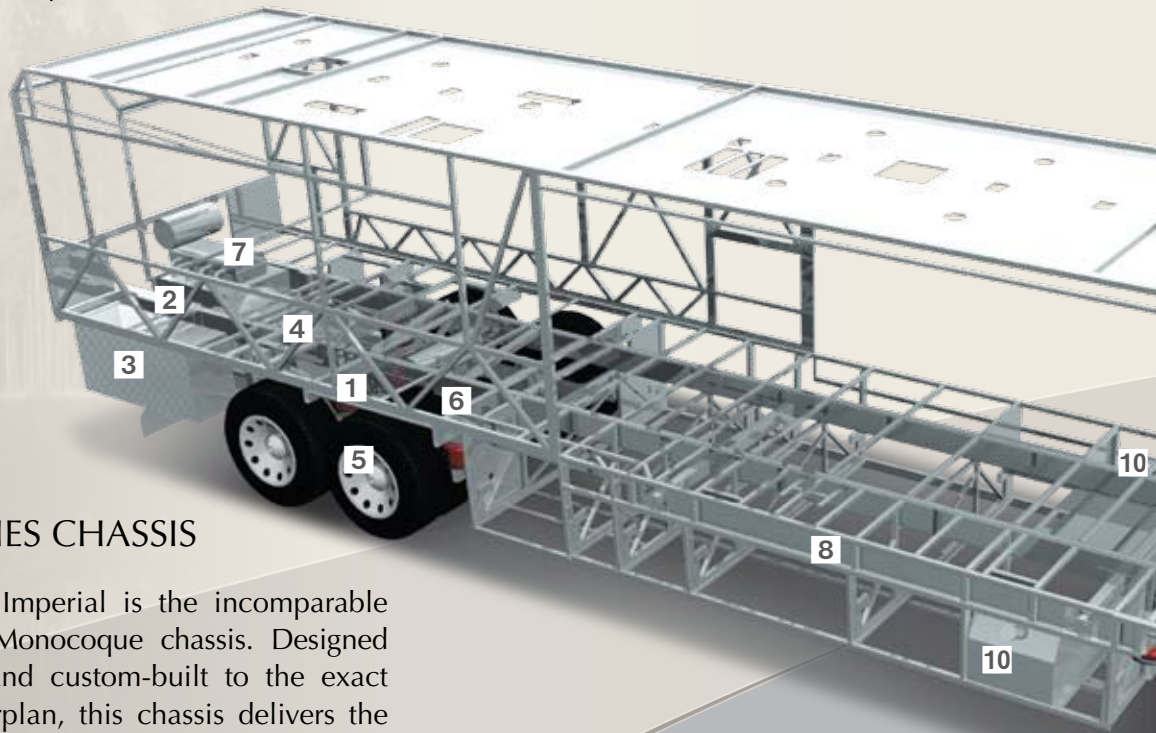
1 For less vibration and smoother shifting, a unique rear axle tilt and three-point engine mounting system perfectly aligns the entire drivetrain.

2 A 10,000 lb. hitch with 7/4-way trailer plug offers powerful towing capacity.

3 The side-mounted aluminum radiator and intercooler reduce weight, are rust-resistant and deliver better heat transfer than steel cooling components.

The cooling system exceeds all manufacturer requirements, while two fuel filters help ensure that the injectors remain clear and operate at peak performance.

4 Semi-Monocoque Design – Trussed superstructure distributes stress evenly throughout the entire chassis and adds strength to the sidewalls and bays. Rails are spaced 44" on center for a wider stance and unmatched strength.



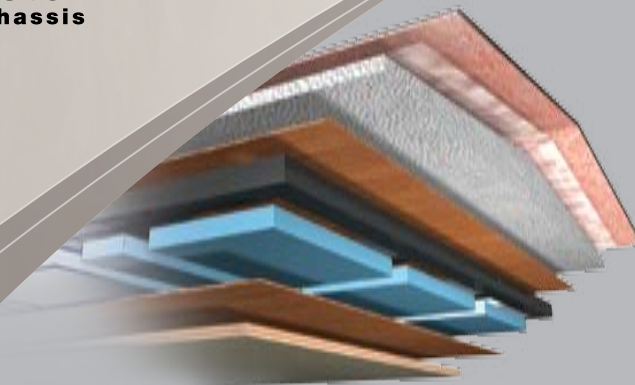
ROADMASTER S-SERIES CHASSIS

At the heart of the 2007 Imperial is the incomparable Roadmaster S-Series Semi-Monocoque chassis. Designed for luxury motorcoaches and custom-built to the exact specifications of each floorplan, this chassis delivers the most sophisticated features and very best performance in the industry. We invite you to take a few minutes and discover all the ways it leads the pack in safety, reliability, comfort and convenience.



8-LAYER ROOF CONSTRUCTION (top to bottom)

- One-piece 1/4" thick fiberglass roof, crowned for water runoff and seamlessly joined with front and rear end caps; non-skid walkways on outboard areas for added convenience
- Vapor barrier
- 3-1/2" tapered bead foam supports the crowned roof; the center tunnel houses wiring and air conditioner ducts
- 1/4" marine grade plywood sheeting
- Tubular steel framework
- R 7.5 closed cell foam seals every nook and crevice
- Luaun and vinyl paneling are Vac-U-Bonded
- Sound-absorbing, easy-to-clean padded vinyl interior headliner



5 A two-stage Jacobs engine brake, auto-slack adjusters, and the anti-lock braking system (ABS) with front disc and rear drum brakes all combine to give you superior stopping power — especially on steep grades. Automatic traction control (ATC) eliminates wheel slippage in slick conditions and heightens control.

6 The Cushion Air-Glide suspension positions 10 Bilstein® shocks and 10 air bags, 8 of which are outboard mounted with auto leveling for greater stability, a smoother ride and the best handling in its class. The air bags are placed approximately 7-1/2 feet apart, providing a wider and more stable platform. The active suspension automatically adjusts the pressure of the air bags as you drive and virtually

eliminates nosediving and the side-to-side body sway associated with high wind conditions, curvy roads and emergency maneuvers.

7 Cummins® ISL 400 Electronic Engine: You'll enjoy the peerless performance of the Cummins® ISL 400 HP diesel engine and Allison® 3000 MH 6-speed World Transmission with electronic shifter. Our exclusive use of synthetic transmission fluid allows for up to three-year maintenance intervals for the Allison® transmission.



8 The heavy-duty steel superstructure is the strongest you'll find anywhere, with a 3" x 8" x 1/4" frame rail and a steel rating of 60,000 PSI.

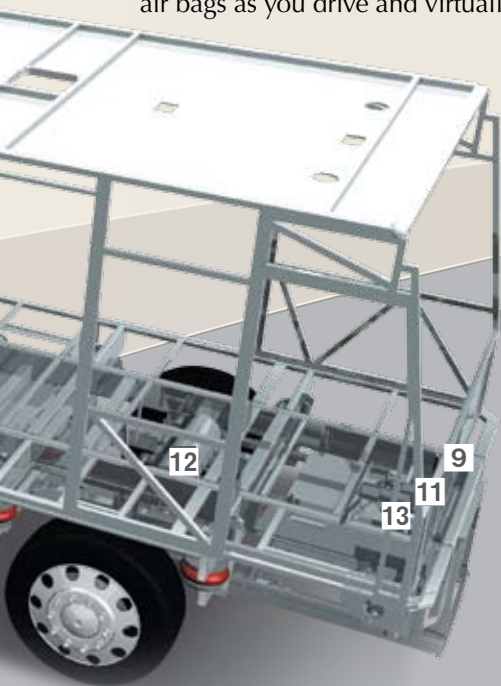
9 Steel Cage Firewall for extra protection.

10 Dual fuel fill allows you to fill the tank from either side of the coach, for greater convenience and flexibility at the pump.

11 The brake and accelerator pedals adjust at the touch of a button, for enhanced ergonomics and greater comfort.

12 Dual Ping Tanks with 3/4" air lines for quicker response and improved ride and handling.

13 The power steering box provides a 50-degree front wheel turn angle in both directions and returns the steering wheel back to its center position.



EATON
VORAD)))

This optional collision avoidance system utilizes a combination of sensors, software and radar to warn you of potential hazards in the road ahead.

Aladdin™
The All-In-One
VIDEO COACH SYSTEMS MONITOR

Aladdin™ makes it easy to keep track of many important functions, including tank levels, temperatures, mileage and much more.

GPS
Global Positioning System

With the GPS option, you're free to explore the middle of nowhere and always know exactly where you are.

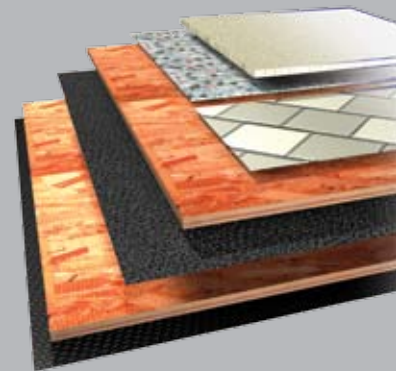
6-LAYER SIDEWALL CONSTRUCTION (left to right)

- Gel coat fiberglass outer wall
- Luaun paneling
- R 7.5 closed cel foam seals every nook and crevice
- Heavy-gauge tubular steel and 4" steel plate backers
- Luaun paneling; walls are Vac-U-Bonded together
- Decorative wall coverings



5-LAYER FLOOR CONSTRUCTION (top to bottom)

- Tile, or 1/2" carpet pad and carpeting
- Dyna-Span Flooring
- Decibel paper
- Dyna-Span Flooring
- Waterproof Darco underbelly



BODY CONSTRUCTION: FEATURES

- Heavy-Duty Steel Superstructure with Steel Cage Cockpit Construction
- Seamless One-Piece Molded Crowned Fiberglass Roof
- All-Season Foam Insulated Roof
- Laminated Gel Coat Fiberglass Sidewalls
- Five-Layer Flooring with Two Layers of OSB Flooring
- Deluxe Full-Body Paint
- Panaview™ 1-Piece Windshield
- Dual Head Power Controlled Heated Exterior Mirrors with Turn Indicator Lights
- Halogen Fog Lights
- Daytime Running Lights
- Recessed Side Docking Lights
- Roof-Mounted Dual Trumpet Air Horns
- Entry Step Storage
- Insulated Aluminum Baggage Doors with Power Locks
- Lined Pass-Through Storage Compartments
- Interlocking Aluminum Framed Slide-Out Houses
- Interior Paneling with 1-1/2" Inch Insulation
- Side-Hinged Baggage Doors with Electric Locks
- Rear Ladder
- Full-Length Holiday Rambler Mud Flap
- Electric Bay Door Latches

OPTIONS

- Standard Run Savings Package: 32" LCD TV in Living Room, 3M Front Film Mask, 14 Cu. Ft. Two-Door Refrigerator with Water and Ice Dispenser in Door, Recessed Ceiling, Tile Aisle in Living Area and Power TV Antenna
- 3M Film Front Mask
- Storage Bay Slide-Out Tray – One Side
- Storage Bay Slide-Out Tray – Pass-Through
- Interior Sunscreens

CHASSIS/ENGINE/SUSPENSION: FEATURES

- Roadmaster S-Series Semi-Monocoque Chassis
- Cummins® ISL 400 HP Electronic Engine (with Fuel Injection) with Allison® 3000 MH 6-Speed World Transmission and Electronic Shifter
- Torque 1,200 lbs./ft. Max (@ 1,300 RPMs)
- Engine Displacement 538"8.8L
- Dual Fuel Fill
- 200 Amp Alternator
- Rear Axle Ratio: 4.78:1
- Tires: 295/80R/22.5
- Remote Transmission Fill
- Polished Aluminum Wheels
- Full-Cushion Air Glide Suspension with Ten Outboard-Mounted Air Bags and Ten Bilstein® Shock Absorbers
- Automatic Traction Control
- Anti-Locking Braking System with Front Disc Brakes and Rear Drum Brakes
- Tag Axle with Anti-Lock Braking System
- Auto Slack Adjusters on Brakes
- Two-Stage Jacobs Engine Brake
- Pre-Wire for Supplemental Braking System
- Engine Block Heater with Switch-On Dash
- Automatic Air Leveling System
- Undercoating
- 10,000 Lb. Hitch Receiver and 7/4-Way Trailer Plug
- Remote Inflation Connector

OPTIONS

- Hydraulic Leveling System (Replaces Standard Air Leveling System)
- Dual Leveling Systems (Air/Hydraulic)

COCKPIT: FEATURES

- Fiberglass Automotive Dash with Canyon Burlwood Instrumentation Panel
- In-Dash AM/FM Stereo with Single CD Player
- Color Rear Vision System with Adjustable Camera
- Aladdin™ Video Coach System
- CB Radio Prep
- Manual Privacy Curtain
- Power Sunvisors
- Pilot and Co-Pilot Window Pull-Down Sunscreens
- Adjustable Brake and Accelerator Pedals
- Lighted VIP Smartwheel® with Controls for Windshield Wipers, ICC, and Cruise Control
- Audible Turn Signals
- Cruise Control Light on Dash
- Six-Way Power Ultraleather™ Pilot and Co-Pilot Seats with Power Adjustable Lumbar and Co-Pilot Footrest
- 110V, 12V and Phone Outlet
- Carpeted Driver and Passenger Floor Mats

OPTIONS

- CB Radio
- In-Dash AM/FM Stereo with Multi-Disc CD Player
- GPS Navigation System
- Sirius Satellite Radio System (Requires Subscription)
- 3-Camera Rear Vision System with Audio and Adjustable Center Camera

APPLIANCES AND ACCESSORIES: FEATURES

- Four-Door Refrigerator with Ice Maker and Raised Panel Doors
- Recessed High-Output 2-Burner Cooktop with Flush-Mounted Covers
- Spacesaver Convection Microwave with Touch Control
- TV Antenna with Booster and RF Modulator
- Prep for Satellite Receiver
- 24" Flatscreen TV with Remote in Living Area
- 20" LCD TV with Remote in Bedroom
- 26" LCD TV with Remote in Bedroom (42NSQ)
- Home Theater System with DVD Player
- Bedroom DVD Player
- Universal Remote Control

OPTIONS

- Combination Washer/Dryer
- Stackable Washer/Dryer
- 14 Cu. Ft. Refrigerator with Ice and Water Dispenser in Door
- Central Vacuum System

- 32" Flatscreen TV with Remote in Living Area
- 20" LCD TV with Remote in Bedroom
- 26" LCD TV with Remote in Bedroom (Standard on 42NSQ)
- Electric TV Antenna
- Fully Automatic Digital Satellite System
- In-Motion Digital Satellite System
- In-Motion Digital Satellite System with HD-Ready Receiver
- Exterior 32" Sharp LCD TV (N/A on Floorplans without Patio Slide-Out)

INTERIOR: FEATURES

- Stained or Natural Oak Cabinetry
- Lined Cabinet Shelves
- Dinette Wall Cabinet with Solid Surface Top
- Built-In Storage Area for Kitchen Countertop Covers
- Bedroom Dresser with Solid Surface Countertop and Integrated Hamper
- Heavy-Duty Ball Bearing Drawer Guides
- Recessed Ceiling in Living Area and Kitchen
- Corian® Countertops Throughout
- Integrated Corian® Sinks in Vanity and Galley
- Corian® and Tile Backsplash in Galley
- Tempered Glass Splash Guard
- Tip-Out Tray under Kitchen Sink
- Day/Night Shades with Blackouts Throughout
- Mini Blinds in Kitchen and Bathroom
- Wallpaper Throughout
- Corian® Cutting Board
- Drawer Organizer in Galley
- Designer Carpeting in Living Area and Bedroom
- Ceramic Tile Flooring in Cockpit Area
- Raised Panel Door for Private Bath
- Bedspread, Pillow Shams and Decorative Pillows
- Nightstands with Corian® Countertops
- Two-Tone Cabinetry Hardware and Bath Accessories
- Decorative Hardwood Slide-Out Fascia Trim

OPTIONS

- Decors: Silver Mink II, Cinnabar Port, Riviera Sands, Spring Meadow
- Tile Aisle from Cockpit to Galley Area
- Cabinetry Options: Stained or Natural Cherry, or Natural Maple
- Recessed Ceiling in Living Area and Kitchen
- Ceiling Fan in Bedroom
- Laminated Plank Flooring in Kitchen and Bath, in front of Washer/Dryer Cabinet, and Front Entry

FURNITURE: FEATURES

- Legless Solid Surface Dinette Table with Two Dinette Chairs and Two Folding Chairs
- Roadside: Ultraleather™ Rest Assured Sofa with Drawer and Decorative Accents for Sofa Arms
- Curbside: Ultraleather™ J-Lounge with Drawer and Decorative Accents for Sofa Arms
- Curbside: Ultraleather™ Euro-Recliner with Ottoman
- Queen Bed Pillowtop Mattress

OPTIONS

- King Bed with Corian® Topped Wood Nightstand on Wardrobe Side
- Queen Air Mattress with Digital Remote
- King Air Mattress with Digital Remote
- Roadside: Leather Hide-A-Bed Sofa with Air Mattress
- Roadside: Leather Hide-A-Bed Sofa
- Roadside: Fabric Hide-A-Bed Sofa with Air Mattress
- Roadside: Fabric Hide-A-Bed Sofa
- Roadside: Fabric Rest Assured Sofa with Drawer

- Roadside: Computer Table with Leather Euro-Recliner and Ottoman
- Fabric/Leather Sectional Booth Dinette Ensemble

ELECTRICAL SYSTEMS AND LIGHTS: FEATURES

- 50 Amp 120V Distribution Panel and Power Cord with Quick Disconnect
- 50 Amp Power Cord Reel
- Onan® 8.0 kW QD Generator on Power Slide-Out with Auxiliary Start Switch (40PDQ)
- Onan® 10.0 kW QD Generator on Power Slide-Out with Auxiliary Start Switch (N/A: 40PDQ)
- 2000 Watt Pure Sine Wave Inverter with Auto Gen Start and Auto Temp Start
- Pilot and Co-Pilot Map Lights
- Decorative Lighting In Living Room, Dinette and Bath
- Cosmetic Vanity Lights in Bathroom
- Halogen Lighting under Living Room and Dinette Overhead
- Fluorescent Ceiling Lights Throughout
- Fluorescent Ceiling Lights inside Living Area Slide-Out House
- Decorative Framed Galley Fluorescent Light
- Fluorescent Light under Kitchen Overhead
- Mood Lighting on Kitchen and Vanity Base
- Lighted Utility Center
- Underhood Utility Light
- 120V Outlet in Private Bath
- 120V Receptacles in Outside Storage Compartment
- Porch Light
- Doorbell
- Lighted Exterior Storage Compartments
- Four 6V Deep Cycle House Batteries
- Two 12V Heavy-Duty Chassis Batteries
- Surge Guard Automatic Transfer Switch
- Multiplex 12V Wiring for Dash/Instrument Panel Gauges and Interior of Coach

OPTIONS

- Solar Panel

PLUMBING AND LP SYSTEMS: FEATURES

- Central Water Filtration System in Service Bay
- Manabloc Water System for Entire Coach
- 10-Gallon LP Gas/Electric Water Heater with Electronic Ignition (N/A: 42NSQ)
- Insulated Systems Compartment with Easy Access to Hook-Up
- Demand Water System and Water Pump
- Water Pump Switch in Galley, Bathroom and Service Bay
- China Toilet
- Super Service Center
- One-Piece Shower
- Bathtub
- Black Holding Tank Rinsing System
- Outside Shower with Hot and Cold Water
- Single Lever Kitchen Faucet with Pull-Out Sprayer

OPTIONS

- Power Water Hose Reel
- RV Sani-Con Tank Drainage System
- Insta-Hot® Water System
- Bathtub

HEATING, VENTS AND AIR CONDITIONING: FEATURES

- Two Low-Profile Ducted 15BTU Roof Air Conditioner with Wall Thermostat and Heat Pump (40PDQ)
- Two Low-Profile Ducted 15BTU Roof Air Conditioner and One 13.5BTU Roof Air Conditioner with Wall Thermostats and Heat Pumps (N/A: 40PDQ)
- Aqua-Hot® Water and Heating System (42NSQ)
- Two 25 BTU Electronic Ignition Furnaces (N/A: 42NSQ)
- Electronic AC/Heat Climate Control System
- Center Defroster Vents
- 12V Attic Fan in Bathroom and in Private Lavatory
- 12V Attic Fan with Wall Thermostat in Kitchen

OPTIONS

- Aqua-Hot® Water and Heating System (Standard on 42NSQ)


HOLIDAYRAMBLER.COM

Log on to our website anytime, night or day. It's your link to everything Holiday Rambler, including product news and updates, club events, dealer and service center info and much more. Take it for a test drive today.

WINDOWS, DOORS AND AWNINGS: FEATURES

- Flush-Mounted Radius Dual Pane Safety Glass Dark Tinted Windows
- Front Entry Door with Air Seal, Removable Top Screen, and Automatic Front Door Awning
- Keyless Remote Entry System with Pocket Remote
- Tinted Skylight in Bathroom with Protecta Glaze
- Topper Awnings on Slide-Out Houses
- Window Awnings on All Slide-Out House Windows, Except Kitchen Windows and Slide-Out Windows under Patio Awning
- Eclipse Automatic Patio Awning

OPTIONS

- Mirage Automatic Patio Awning

SAFETY: FEATURES

- Back-Up Alarm
- Fire Extinguisher
- Deadbolt Lock on Entrance Door
- Lighted Interior and Exterior Grab Handles
- 120V GFI Protected Circuit (Kitchen, Bath and Storage Bay)
- LP Gas Detector
- Smoke Detector
- Carbon Monoxide Detector
- Integrated Pilot and Co-Pilot Three-Point Seatbelts
- Third Brake Safety Light
- Egress Windows
- Security Safe

OPTIONS

- Deluxe Security Alarm System
- Collision Avoidance System

Weights*	40PDQ	42PBQ	42NSQ	43DSQ
Gross Vehicle Weight Rating	44,600	44,600	44,600	44,600
Gross Combined Weight Rating	54,600	54,600	54,600	54,600
Front Gross Axle Weight Rating	14,600	14,600	14,600	14,600
Rear Gross Axle Weight Rating	20,000	20,000	20,000	20,000
Tag Gross Axle Weight Rating	10,000	10,000	10,000	10,000

Measurements

Wheelbase	249.5	273.5	273.5	273.5
Overall Length	41' 10"	42' 10"	42' 10"	42' 10"
Overall Height with A/C (without DSS option)	12' 6"	12' 6"	12' 6"	12' 6"
Interior Height	84"	84"	84"	84"
Interior Width	96"	96"	96"	96"
Exterior Width	100.5"	100.5"	100.5"	100.5"

Tank Capacities**

Water Heater	10	10	10	10
Gray Tank	72	72	72	72
Black Tank	40	40	40	40
Fresh Tank	100	100	100	100
LP Tank***	25	25	25	25
Fuel Tank	130	130	130	130

* Towing capacity is limited by GCWR; your vehicle's towing capacity is the difference between the GCWR and the actual vehicle weight, including all water, fuel, passengers and cargo. Your towed vehicle should be equipped with auxiliary brakes if the weight of the towed vehicle exceeds 1,000 lbs. Consult your owner's manual for further towing information.

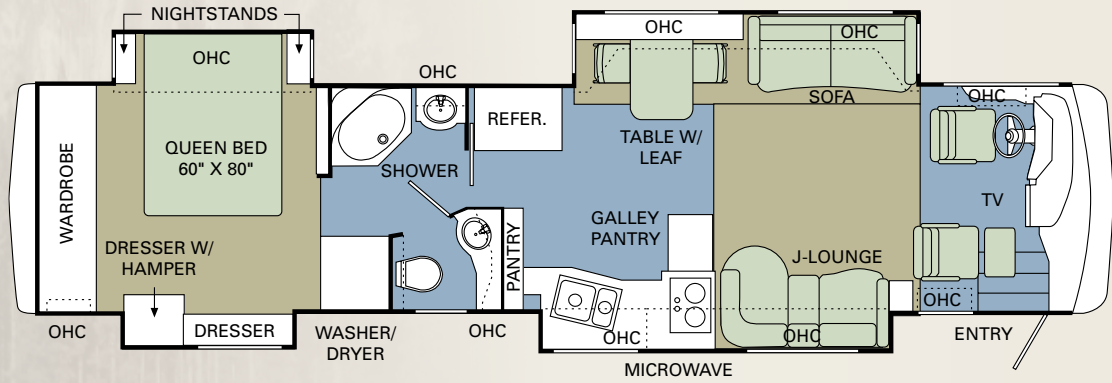
** All tank capacities are estimated based upon calculations provided by the tank manufacturers and represent approximate capacities. The actual "usable capacity" may be greater or less than the estimated capacities based upon fabrication and installation of the tanks.

*** Actual filled LP capacity is 80% of listing due to safety shut-off required on tank.

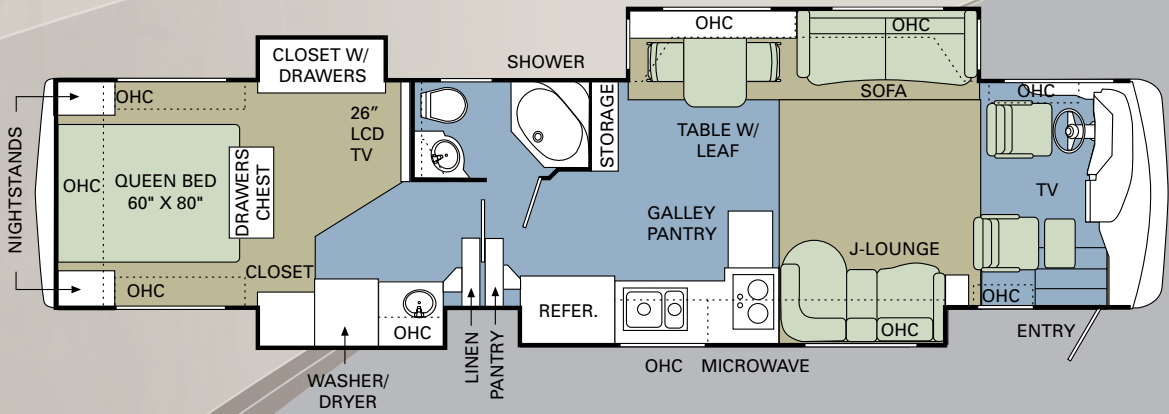
The actual overall length of the recreational vehicle may differ from that indicated in the brochure due to variances in the manufacturing process and/or installed components. The actual length may be greater or less than that indicated. Due to the large variety of options and floorplan arrangements available to our customers, actual weights for each unit can differ significantly. Holiday Rambler provides a weight sticker on each unit we produce which includes that unit's tank capacities and approximate weight. Consult your local Holiday Rambler dealer for unit availability and further information. The information printed in this brochure reflects product design, fabrication, and component parts at the date of printing. The manufacturer reserves the right, at any time, to make changes in product design or material or component specifications as its sole option, without notice. This includes the substitution of components of a different brand or trade name which will result in comparable performance. All information printed in this brochure is subject to change after the date of printing. Some features shown or mentioned in this brochure are optional and may only be available in selected floorplans. Photographs may show props or decorations that are not standard equipment on Holiday Rambler models. Holiday Rambler, the Holiday Rambler logo and its design, are registered trademarks. All other products and company names are trademarks and/or registered trademarks of their respective holders. While the color of the motorhome's exterior and the interior fabrics depicted in this sales brochure are fair and reasonable depictions, the colors depicted may not be an exact match of the actual colors because of the variances in photo-processing and variances caused by inserting the photographs within the sales brochure. Due to product improvements, changes during the model year and/or transcription errors that may occur, information represented within this brochure may not be accurate at the time of your purchase. If certain information is significant to your purchasing decision, please confirm the information with your dealer prior to submitting your order. Component part and appliance manufacturers issue limited warranties covering those portions of the recreational vehicle not covered by the Limited Warranties issued by Monaco Coach Corporation. To learn which specific component parts and appliances are excluded from the Limited Warranties issued by Monaco Coach Corporation, please contact your selling dealership or Monaco Coach Corporation directly, or review the warranty packet inside the recreational vehicle.

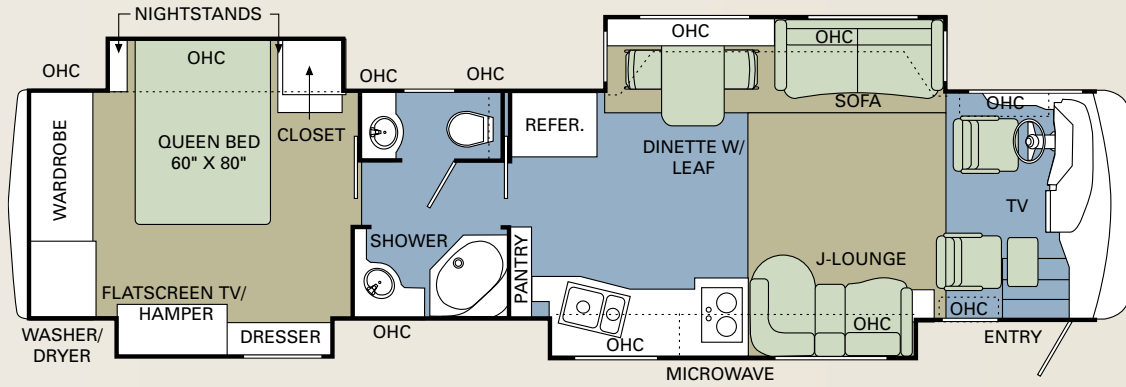
2007 FLOORPLANS ■ CARPET | ■ TILE

40PDQ

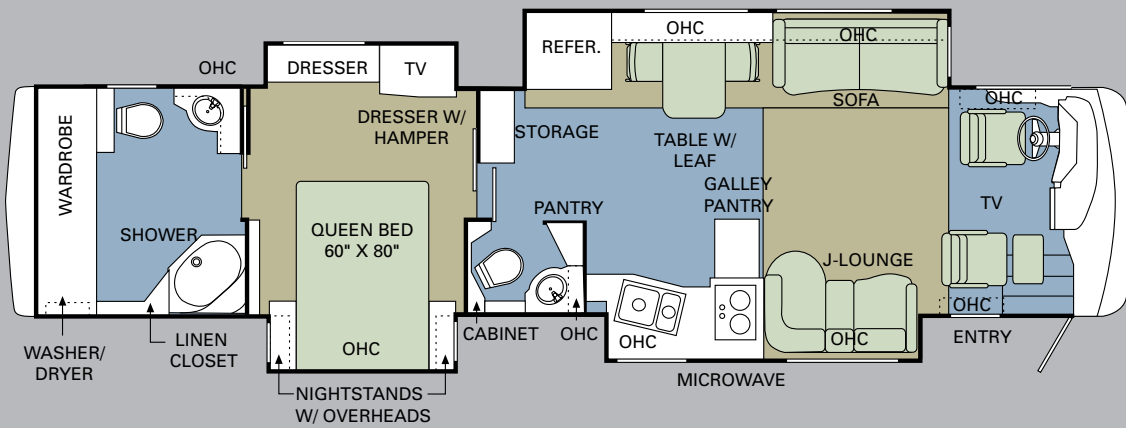


42NSQ





42 PBQ



43 DSQ



2007 IMPERIAL™

THE POWER BEHIND THE NAME.

At Holiday Rambler, every one of our RVs shares something special – something that’s hard to describe, but easy to recognize. It’s that unique touch that makes Holiday Rambler stand apart. It’s our complete dedication to quality at every level – from the designers who create unique looks to the craftsmen who apply the finishing touches. It’s our unbeatable service, which gives you 24-hour availability, 365 days a year. It’s a commitment to safety and a tradition of innovation. And finally, it’s the best people in the business. The Holiday Rambler difference. It’s in every RV we make – including yours.



HOLIDAY RAMBLER®

This is Living®

DEALER:

606 Nelson’s Parkway Wakarusa, IN 46573
www.holidayrambler.com (800) 245-4778



ASSISTANCE

SALES • TECH • ROADSIDE



WE’RE HERE.
ANYTIME, EVERY TIME.

- Reach us anytime – literally – via our live customer support line.
- Drive in to one of our 350 Service Centers.
- Enjoy the first year free when you enroll in our Owner Advantage Roadside Assistance Program.
- See where it all begins with a tour of one of our facilities in Indiana or Oregon. Call 1-800-650-7337 or 1-800-634-0855 to find out more.

WARRANTIES

12 MONTH/24,000 MILE
basic limited warranty

5 YEAR/50,000 MILE limited
warranty on aluminum or steel
frame structure of sidewall,
roof, front and rear cap

3 YEAR/36,000 MILE limited
warranty on Roadmaster chassis

Applies to certain models. See owner’s
manual for complete details.



MONACO COACH CORPORATION

Monaco is traded on the New York Stock Exchange under the listing MNC.
© 2006, Monaco Coach Corporation 6/06 NPN:BROHIMP Litho in USA.

