

AVANTI

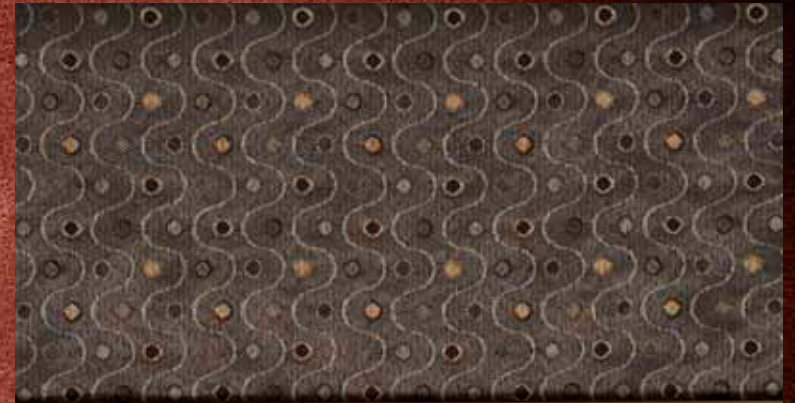
AVANTI *Class A Diesel* **SPECIFICATIONS**



AVANTI

FUEL EFFICIENT, EASY TO DRIVE *Class A Diesel*

The Avanti is engineered to be a fuel efficient, full featured, luxurious, easy-to-drive Class A motorhome by combining a sleek, low-to-the-ground aerodynamic design and a yacht-like interior. The Avanti achieves up to 70 percent better fuel economy than comparable Class A motorhomes, based on internal test results.



LUXURY CHERRY

SUNDOWN

QUARTZITE



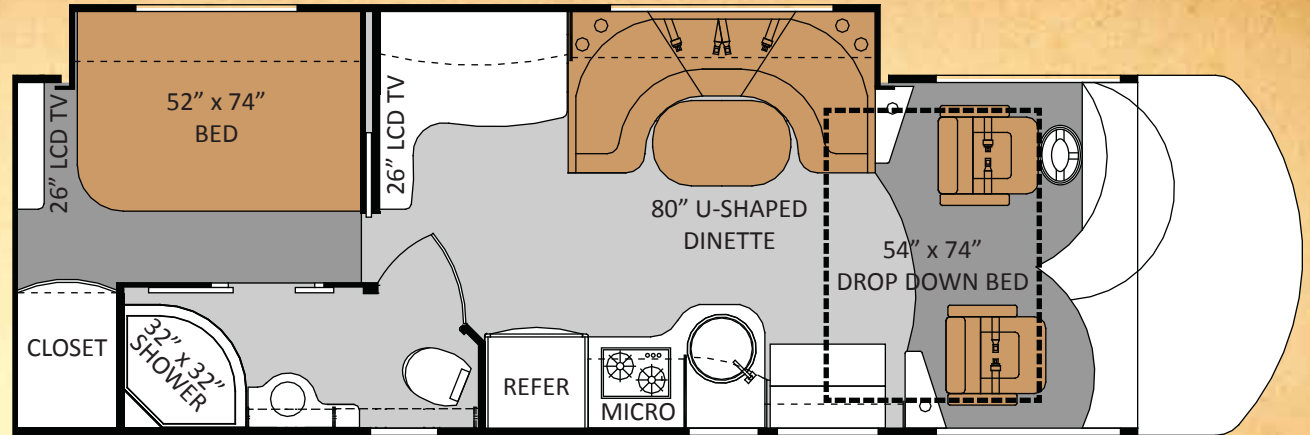
BLACK AND TAN



SILVER STORM

2806

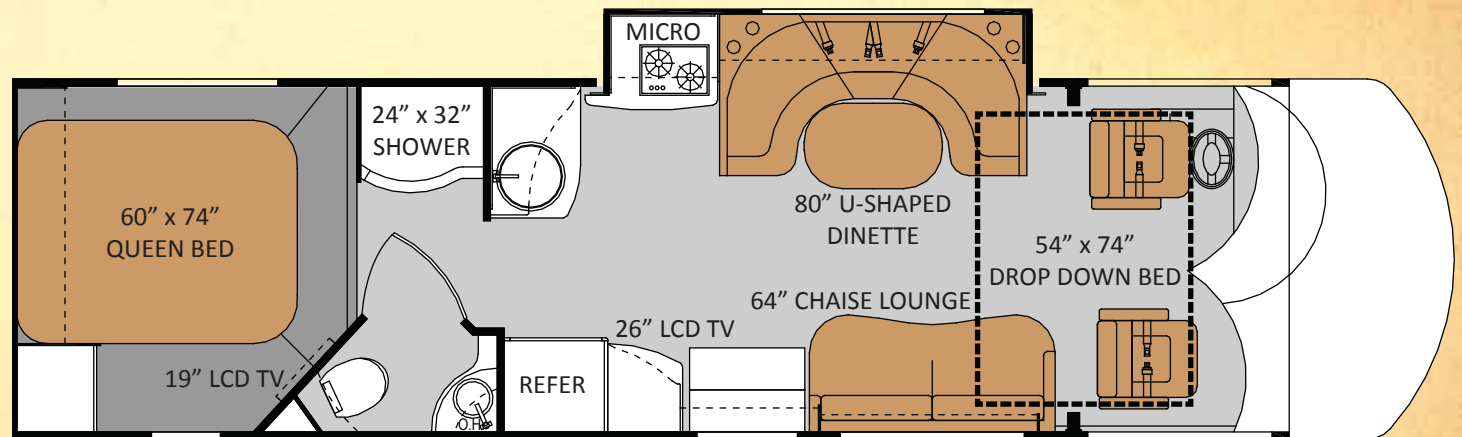
Chassis	Freightliner
Gross Vehicle (GVWR)	18,000
Gross Combined (GCWR)	26,000
Wheel Base	190"
Exterior Length (w/o ladder)	28' 9"
Exterior Height (w/ AC)	10' 11"
Exterior Width (w/o mirrors)	94"
Interior Height	78"
Awning Size	13'
Fuel (gal)	60
LPG (lbs)	80
Fresh/Waste/Grey Water (gal)	50/40/40
Water Heater (gal)	6
Furnace (BTUs)	30,000
Exterior Storage Capacity (cu. ft.)	67



2806

3106

Chassis	Freightliner
Gross Vehicle (GVWR)	18,000
Gross Combined (GCWR)	26,000
Wheel Base	208"
Exterior Length (w/o ladder)	31' 10"
Exterior Height (w/ AC)	10' 11"
Exterior Width (w/o mirrors)	94"
Interior Height	78"
Awning Size	13'
Fuel (gal)	60
LPG (lbs)	80
Fresh/Waste/Grey Water (gal)	50/40/40
Water Heater (gal)	6
Furnace (BTUs)	34,000
Exterior Storage Capacity (cu. ft.)	121



3106

IMPORTANT - PLEASE READ: Information published within this brochure reflects product design, fabrication, material, components and specifications at the date of printing. If your vehicle was manufactured before this brochure was published this information may not be accurate because vehicles assembled before the brochure was published may not have the same design, fabrication, materials, components and specification as represented in the brochure. If your vehicle was manufactured after this sales brochure was published the representations may not be accurate because, for product improvement reasons, we reserve the unilateral right, at any time, without prior notice, to make changes in product design, material, components and specifications. The date the brochure was published [i.e. "Julian date"] is set forth on the last page of the brochure. IF CERTAIN INFORMATION PUBLISHED WITHIN THIS BROCHURE IS SIGNIFICANT TO YOUR PURCHASING DECISION, PLEASE CONSULT WITH YOUR SELLING DEALERSHIP TO CONFIRM THAT THE INFORMATION IS ACCURATE WITH RESPECT TO THE VEHICLE YOU ARE CONSIDERING PURCHASING. Photographs in the brochure may depict optional equipment or may only be available in certain floor plans. We reserve the right to make changes in prices and models and to discontinue models without notice or obligation. Components, appliances and the chassis may have been manufactured in a calendar year before the vehicle's designated model year. All capacities are approximate. The actual length of the vehicle may differ from that indicated in the brochure due to variances in the manufacturing processes and/or installed components. All dry weights are based on standard model features and do not include optional features or equipment. Components, appliances and features may differ to conform to local codes. Due to EPA environmental restrictions, engine power and torque ratings may change during any model year. The Thor Motor Coach logo and its design are registered trademarks. Other products and company names are trademarks and/or registered trademarks of their respective manufacturer. While the color of the motorhome's exterior and the interior fabrics depicted in this brochure are fair and reasonable depictions, the colors depicted may not be exact match of the actual colors because of variances in photo processing and printing. Component part and appliance manufacturers issue limited warranties covering portions of the vehicle not covered under the limited warranty we issue. To learn specific details regarding warranty coverage please consult your selling dealership or review the warranty packet inside the vehicle.

STANDARD FEATURES AND OPTIONS

CONSTRUCTION & EXTERIOR

- Radius Corner Domed TPO Roof
- Aerodynamic Front & Rear Fiberglass Caps
- Black Framed Dual Pane Windows
- Full Body Paint with gelcoat walls
- Invisible Bra
- Electric Patio Box Awning
- Locking Exterior Storage Doors with Gas Strut Supports
- Lighted Rotocast Storage Compartments
- Electric Entrance Step
- Slide Out Topper Awnings
- Exterior Shower

AUTOMOTIVE & COCKPIT

- Freightliner MCL Chassis
- 220-hp Cummins Engine
- Allison Automatic Transmission with Overdrive
- 19.5 Tires
- Stainless Steel wheel liners
- 5,000 lb Trailer Hitch (500 lb tongue)
- One Touch Fully Automatic 4 Point Leveling Jacks
- Exhaust Brake
- 6-Way Power Driver Captain's Chair
- Reclining Swivel Passenger Captain's Chair
- 3-Point Wall-Mounted Seat Belts
- Map Lights and Drink Holders
- Automotive Styled Dash & Cockpit
- Side Mount Power Mirrors with Heat

AUTOMOTIVE & COCKPIT OPTIONS

- GPS Navigation

INTERIOR

- 13.5 BTU High Capacity Ducted Central Air
- Fantastic® Power vent with Rain Sensor & Remote in Living Room
- Radius Wood Cabinet Doors
- Luxury Cherry Cabinetry
- Ball Bearing Drawer Guides in Kitchen
- Roman Style Day/Night Shades in Living Area
- Vinyl Flooring in Living Room, Kitchen, & Bathroom
- Thor Motor Coach's Advantage Sleeper: Drop Down Bed
- U-shaped dinette
- Chaise Lounge (Passenger Side) (3106 only)
- Under Bed Storage System (3106 only)
- Privacy Divider Panel in Bedroom (3106 only)

GALLEY

- 8 cf. European Styled Double Door Refrigerator
- Microwave/Convection Oven With Cooktop & Integrated Range Cover
- Lighted Power Range Hood
- Extra Deep Radius Sink

ENTERTAINMENT

- 26" High Definition LCD TV with Full-Function Remote
- 19" High Definition LCD/DVD Combo in Bedroom (3106 only)
- 26" High Definition LCD TV with Separate

YOUR LOCAL TMC DEALER:



Go RVing.

- DVD Player in Bedroom (2806 only)
- Touch-Screen Multi-Media DVD/AM/FM/CD System with Home Theater, iPod Interface, Bluetooth, and Color Back-Up Monitor System
- Cable TV & Satellite Prep

BEDROOM & BATHROOM

- Pillow Top Innerspring Mattress
- Designer Pillow Shams, Pillows, & Custom Fit Comforter
- Macerator Toilet (2806 only)
- Foot Flush Toilet (3106 only)
- Shower with radius glass door
- Skylight in Bathroom
- Power Vent in Bedroom & Bathroom

SAFETY & CONVENIENCE

- Systems Control Panel
- Smoke, LPG, carbon monoxide detectors
- Fire extinguisher

ELECTRICAL & PLUMBING

- 34,000 BTU Electronic Ignition Furnace (3106)
- 30,000 BTU Electronic Ignition Furnace (2806)
- 30-amp, 120-volt Service
- Onan 3.2 kW Quiet Diesel Generator
- Combination 70 amp converter / 1200 watt inverter
- Deep Cycle 12 Volt Auxiliary Battery
- Battery Disconnect
- Exterior GFCI Receptacle
- 6-Gallon Gas/Electric Water Heater with Electric Ignition
- Water Heater Bypass Kit
- Enclosed Heated Potable & Holding Tanks
- Black Water Tank Flush



P.O. BOX 1486 • ELKHART, IN 46515 • CUSTOMER SERVICE: 800-860-3812 • SALES DEPARTMENT: 800-860-5658 • AVANTIRV.COM

