

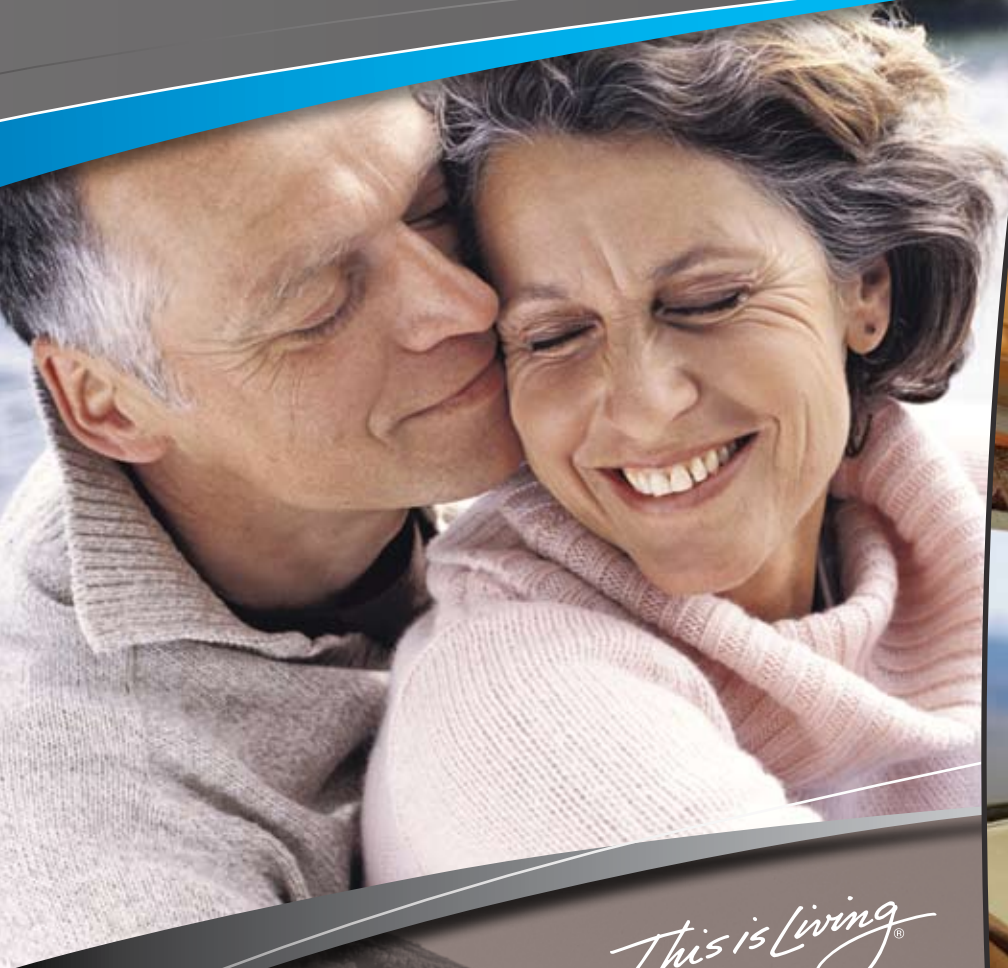
NAVIGATOR®
2008



HOLIDAY RAMBLER®

This is Living®





This is Living®





CASPIAN IV | COPPER CANYON II | NATURAL CHERRY

ENJOY THE RIDE.

Imagine tossing aside all your worries and simply concentrating on the best things life has to offer. It's possible with the 2008 Navigator. Every inch has been designed to envelop you in an atmosphere of luxury, style and comfort so your daily concerns melt away. The magic begins as you take a look at the stunning exterior. The deluxe five-color, full-body paint with fades is highlighted by the stylish new front cap with Cadillac Escalade headlights. As you walk inside,

you'll forget your cares amid the plush surroundings. Feel your feet sink into the sculptured carpet along the living area. Then sit back on the newly designed sofa or any of the sumptuous furniture. You're sure to be just as comfortable as if you were sitting in your favorite easy chair at home. Then again, without the routines of daily life, you might find yourself feeling more at home with Navigator than anywhere else on earth. So go ahead. Sit back, relax and enjoy the ride.





CASPIAN IV | COPPER CANYON II | NATURAL CHERRY

REVEL IN THE GOOD LIFE.

Welcome to the good life, where luxury awaits at every turn. From the high-gloss ceramic tile aisle flooring to the majestic ceiling with a recessed design featuring mirrors and artful lighting. In either direction you're surrounded by the rich beauty of the oak cabinetry and wood fascia trim. The many windows allow natural light to stream in, giving Navigator an open, airy feeling and residential look. At the front of the coach, a large, 37-inch LCD television descends

from overhead. With it comes a universal remote that seamlessly controls the television, home theater system and DVD/CD player. While there's no remote to help with laundry, Navigator does offer the option of a washer/dryer to make that particular chore as easy as possible. And, after a day away, we even make it easy to return to your private oasis with a keyless remote entry system with pocket remote and coded door handle.





CASPIAN IV | COPPER CANYON II | NATURAL CHERRY

INDULGE YOUR SENSES.

Navigator's smart kitchen is designed to delight your senses while making the most of every inch of space. For example, the ceiling lights your way with recessed can lights and brings music to your ears with surround sound speakers. The high-gloss Hudson countertops with new edge detail will appeal to your sense of touch, as well as your sense of style. Your practical side will appreciate all the space for meal preparation, as well as ingenious additions like pullout countertop extensions. Indulge your taste buds with all your

favorite foods, easily stocked in the 17 cubic-foot, four-door refrigerator. You can choose an optional residential refrigerator or a stainless steel model, too. Other options worth considering are the dishwasher drawer and central vacuum system. A new backlit, etched glass backsplash not only adds style, but helps make cleanup easier. And, you can enjoy the taste of delicious meals or simply enjoy the ambience of the kitchen at the legless side-slide dinette table, now with extra-comfortable freestanding chairs.



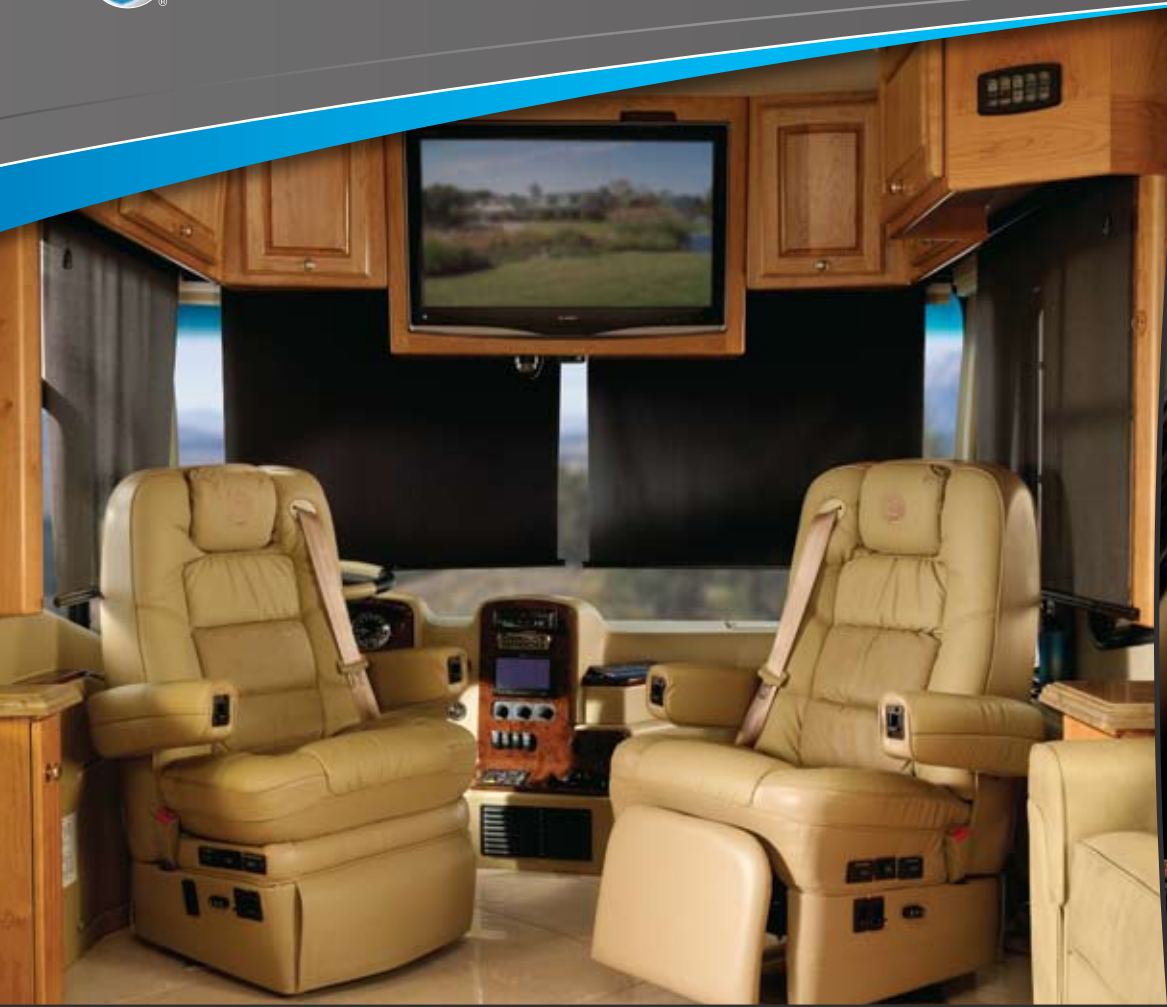


CASPIAN IV | COPPER CANYON II | NATURAL CHERRY

BASK IN COMFORT.

Rich fabrics. Warm lighting. Ample storage space. All this and more awaits you in Navigator's lavish bedroom. The main attraction, of course, is the bed. And it's a beauty — queen-size with a soft, pillowtop-hinged mattress. You can upgrade to a king-size for even more room to stretch out. Take in a movie on the standard 20-inch LCD TV or move up to the 32-inch model. If you prefer music before bed, add the optional Bose® Wave Radio with amazing sound quality. And, stay cool and comfortable with the optional ceiling

fan, which really gives the room a residential feel. In the bathroom, you'll discover a new shower ensemble with a lower pan and higher Hudson shower walls with accent inlay. You'll also enjoy the shower head with volume control, which you can set to your individual preference. The bathroom's vanity features an integrated sink, the same etched glass backdrop featured in the galley and satin nickel/polished brass hardware for an upscale look.



This is Living®



CASPIAN IV | COPPER CANYON II | NATURAL CHERRY

FUEL YOUR SPIRIT.

Here's where the fun starts. The command center. It pulls you in with an all-new high-tech automotive dash. Notice the easy-to-read gauges and placement of key functions on the lighted VIP Smartwheel®. You'll always know where you're headed with the GPS navigation system that comes standard. New for 2008, we added an auxiliary audio input for mp3 players so you can take your favorite tunes with you. Safety is paramount, so we made the color rear vision system standard, along with adjustable accelerator and brake pedals

for the anti-locking braking system with front and rear disc brakes. Plus, our exclusive Panaview™ 1-piece windshield gives you an unobstructed view for greater safety and slender side pillars to increase peripheral vision. The driver will enjoy the convenience of the new power window, while the co-pilot will love the power footrest. Both of you will stay comfortable with the six-way power seats with electric heat and lumbar, during the drive or while relaxing later.



INTELL-I-SWITCH
Innovating Convenience.



Multiplexing replaces cumbersome bundles of wire with separate modules that communicate via a single wire.



MULTIPLEX WIRING – THE NEXT STEP.

Monaco Coach was one of the first to offer multiplex wiring, which streamlines the wiring of a coach's electronic features. Multiplex wiring makes servicing easier and reduces the overall weight of an RV. Now we've taken the next step by extending multiplex wiring to the chassis, creating even greater continuity. It also allows you to control the chassis with a single touch of a button on the convenient lighted switch panels located throughout the RV.

Lighted switch panels provide convenient access points for electronic controls, including slide-outs, lighting and more.



TRUST IN THE TECHNOLOGY.

Holiday Rambler RVs are often the first to bring fresh innovations to the industry. One example is our multiplex wiring, now with medallion M3 gauges and light bar/message center which makes the pioneering technology even easier to use. Another smart idea is the new KIB tank level display. Now you can tell at a glance where you stand on vital fluids and functions.

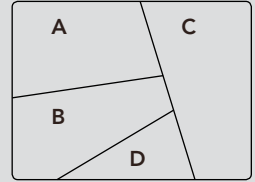
The 2008 Navigator also uses technology to enhance areas that aren't considered high-tech. Like the storage areas. Here, the breakthroughs lie in the smart,

functional design. Lined, lighted pass-through storage compartments. Side-hinged, insulated baggage doors with electric locks. And optional electric slide-out storage trays. Another somewhat surprising hot bed of technology is the service bay. It features a central water filtration system and water pump switch, and for convenience, a faucet with hot and cold water. We made everything easy to hook up, but if you ever have a question about anything, just call our 24/7 assistance line. We're always available to help.

CAPTURE YOUR ESSENCE.

With Navigator, you choose the look of your individual RV. Go as bold or as sophisticated as you would like. And, with the addition of exclusive designer decor choices, you have even greater selection. Recognized around the world as one of today's premier designers, Ralph Lauren has created a beautiful selection of fabrics and textures for the 2008 Navigator. Add your ideal wood finish and you have created a distinctive look that captures your essence...beautifully.

- A. BEDSPREAD
- B. SOFA
- C. ACCENT
- D. CARPET



COPPER CANYON II



STONINGTON GRAY II



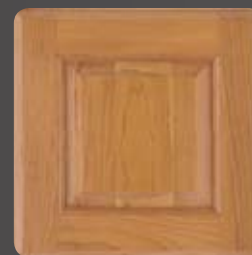
NATURAL OAK



STAINED OAK



NATURAL MAPLE



NATURAL CHERRY



STAINED CHERRY



LANDSDOWN II by Ralph Lauren



BLACK PEARL by Ralph Lauren



WINDERMERE by Ralph Lauren



BETTER
STAIN
PROTECTION

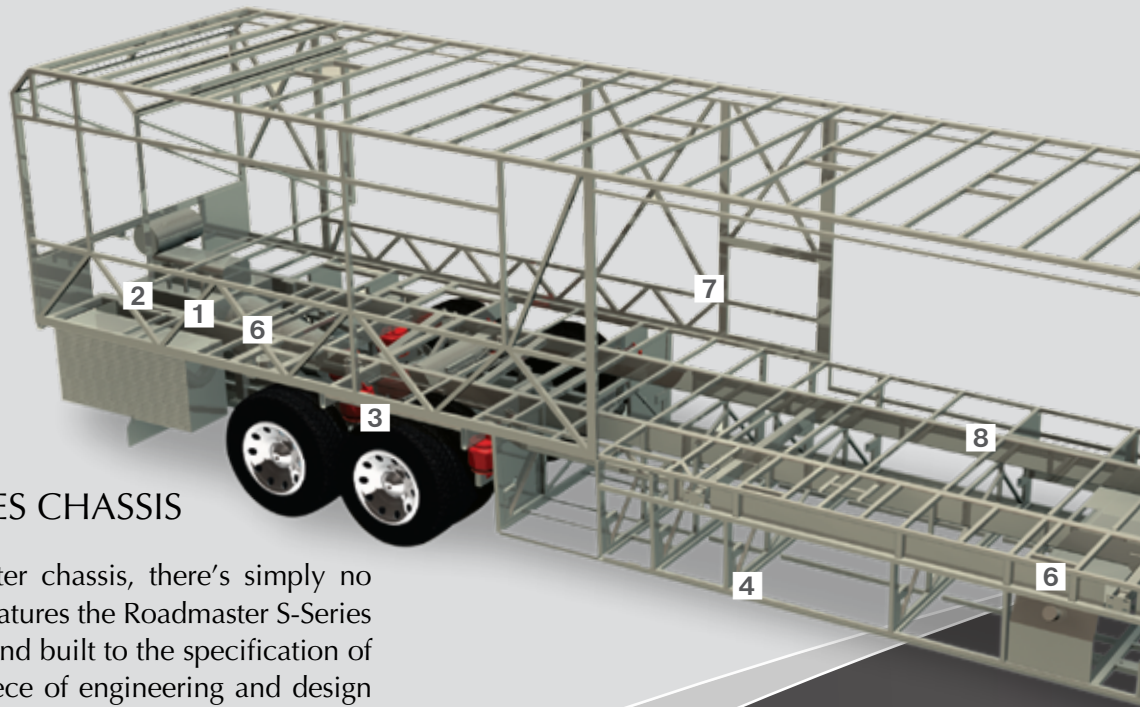
Manufactured in, not added on. For added protection against stains, soil repellent is applied to virtually all upholstery fabric during the finishing process for superior coverage.*

*Brand and application of upholstery fabric protection may vary depending on date recreational vehicle was manufactured.

1 The three-point engine mounting system lowers the coach's center of gravity and reduces the amount of vibration that reaches the coach. The mounting also makes the engine easier to service by allowing the engine to be easily lowered through the bottom of the coach.

2 10,000 lb. hitch receiver offers powerful towing capacity.

3 Cushion Air Glide suspension system includes ten Bilstein® shocks and ten air bags, eight of which are outboard mounted with auto-leveling for greater stability, a smoother ride and the best handling in its class. Unique three-degree rear axle tilt perfectly aligns the engine, transmission and differential, minimizing stress on the drivetrain and reducing noise in the coach.

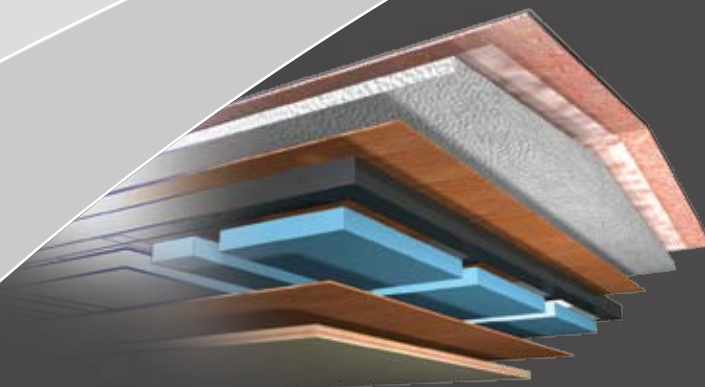


ROADMASTER S-SERIES CHASSIS

When it comes to Roadmaster chassis, there's simply no comparison. The Navigator features the Roadmaster S-Series Semi-Monocoque chassis. Hand built to the specification of each floorplan, this masterpiece of engineering and design delivers at every level — safety, dependability, stability and strength...not to mention comfort, maneuverability and convenience. Just take a look at some of what makes these one-of-a-kind chassis so impressive.

ROOF CONSTRUCTION (top to bottom)

- One-piece 1/4" thick fiberglass roof, crowned for water runoff and seamlessly joined with front and rear end caps; non-skid walkways on outboard areas for added convenience
- Vapor barrier
- Tapered bead foam supports the crowned roof; the center tunnel houses wiring and air conditioner ducts
- Marine grade plywood sheeting
- Tubular steel framework
- Foam insulation
- Luaun and vinyl paneling are Vac-U-Bonded
- Sound-absorbing, easy-to-clean padded vinyl interior headliner



Automatic Traction Control (ATC) eliminates wheel slippage in slick conditions and heightens control. Tag axle lifts for added maneuverability in tight spots.



4 Basement structure rust inhibitor: To prevent corrosion, the basement storage area is constructed with pre-primed steel with rust-inhibiting paint.

5 Dual fuel fill allows you to fill the tank from either side of the coach, for greater convenience and flexibility at the pump.

6 Allison® 4000 MH 6-speed transmission for smooth shifting; our exclusive use of synthetic transmission fluid allows for up to three-year maintenance intervals.

7 The semi-monocoque design, with trussed superstructure, distributes stress evenly throughout the entire chassis and adds strength to sidewalls and bays.

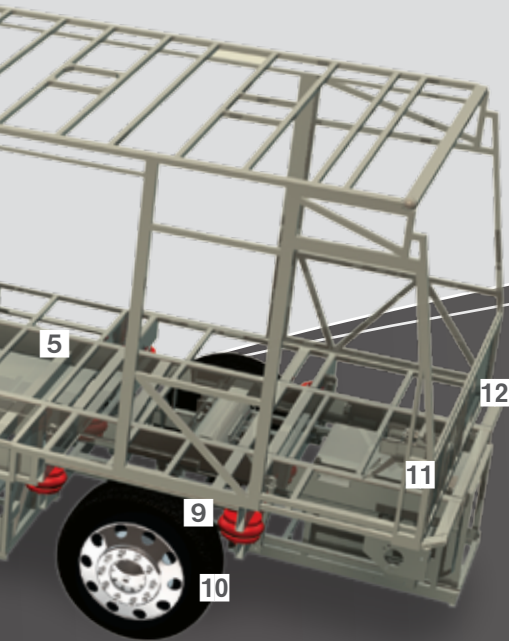
8 Full-length frame rails fabricated from 3" by 8" by 1/4" 60,000 PSI structural steel; rails are spaced 44" on center for a wider stance and unmatched strength.

9 Two-stage Jake brake system assures you of safely traveling steep grades while 6-wheel anti-lock brakes with disc brakes in front help you maintain control in severe road conditions.

10 295/80R/22.5 Goodyear steel-belted all-season tires ensure a safe and quiet ride.

11 All chassis are equipped with steel cage construction and steel firewall for added safety.

12 The power steering box allows for a 50-degree front wheel turn angle in both directions for better maneuverability and returns the steering wheel back to its center position to eliminate driver fatigue.



EATON
VORAD)))

This optional collision avoidance system utilizes a combination of sensors, software and radar to warn you of potential hazards in the road ahead.

Aladdin
The All-In-One
VIDEO COACH SYSTEMS MONITOR

Aladdin™ makes it easy to keep track of many important functions, including tank levels, temperatures, mileage and much more.

GPS
Global Positioning System

With standard GPS, you're free to explore the middle of nowhere and always know exactly where you are.

SEE
VISION
Coach Monitoring System

The optional SEE-Vision system reduces blind spots when you're driving and provides added security when you're parked.

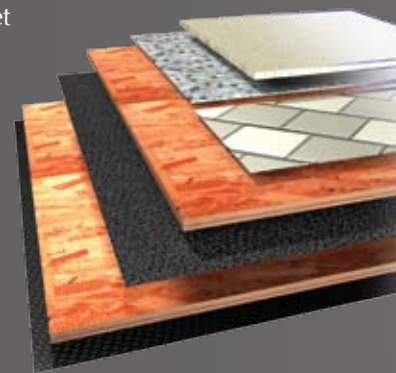
SIDEWALL CONSTRUCTION (left to right)

- Gel coat fiberglass outer wall
- Luaun paneling
- R 7.5 closed cel foam seals every nook and crevice
- Heavy-gauge tubular steel and steel plate backers for cabinet attachment
- Luaun paneling; walls are Vac-U-Bonded together
- Decorative vinyl wall coverings



FLOOR CONSTRUCTION (top to bottom)

- Plywood and tile, or carpet pad and carpeting
- Oriented Strand Board (OSB)
- Decibel paper
- Oriented Strand Board (OSB)
- Waterproof Darco underbelly





BODY CONSTRUCTION: FEATURES

- Heavy-Duty Steel Superstructure with Steel Cage Cockpit Construction
- Seamless One-Piece Molded Crowned Fiberglass Roof
- All-Season Foam Insulated Roof
- Laminated Gel Coat Fiberglass Sidewalls
- Five-Layer Flooring with Two Layers of OSB Flooring
- Deluxe Full-Body Paint
- Panaview™ 1-Piece Front Windshield
- Triple Head Power Controlled Heated Chrome Exterior Mirrors
- Halogen Fog Lamps
- Daytime Running Lights
- Recessed Side Docking Lights
- Dual Trumpet Air Horns
- Entry Step Storage
- Insulated Aluminum Baggage Doors with Power Locks
- Lined Pass-Through Storage Compartments
- Interlocking Aluminum Framed Slide-Out Houses
- Side-Hinged Baggage Doors with Electric Locks

- Rear Ladder
- Holiday Rambler Full-Length Mud Flap with Polished Stainless Steel Logo
- 3M Film Front Mask

OPTIONS

- Slide-Out Storage Trays (Complete Pass-Through)
- Electric Slide-Out Storage Trays (Complete Pass-Through)

CHASSIS/ENGINE/SUSPENSION: FEATURES

- Roadmaster S-Series Semi-Monocoque Chassis
- Cummins® ISX-525 HP Engine with Allison® 4000 MH 6-Speed World Transmission and Electronic Shifter
- Torque: 1,650 lbs./ft. Max. Net at 1,200 RPM
- Engine Displacement 912"/15.0 L
- Dual Fuel Fill
- 200 Amp Alternator
- Rear Axle Ratio: 4.33:1
- Tires: Goodyear 295/80R/22.5
- Polished Aluminum Wheels
- Full-Cushion Air Glide Suspension with Eight Outboard-Mounted Air Bags and Ten Bilstein® Shock Absorbers
- Air Suspension with Two Ping Tanks
- Automatic Traction Control
- Anti-Locking Braking System with Front and Rear Disc Brakes
- Tag Axle with Anti-Lock Braking System
- Two-Stage Jacobs Engine Brake
- Prewire for Supplemental Braking System
- Engine Block Heater with Switch on Dash
- Automatic Air Leveling System
- 10,000 Lb. Hitch Receiver and 7/4-Way Trailer Plugs

OPTIONS

- Cummins® ISX 600 HP Engine with Allison® 4000 MH 6-Speed World Transmission and Electronic Shifter Torque: 1,850 lbs./ft.; 912" Engine Displacement
- Electronic Adjustable Suspension System
- Hydraulic Leveling System (Replaces Standard Air Leveling System)
- Dual Leveling Systems (Air/Hydraulic)

COCKPIT: FEATURES

- In-Dash Stereo with AM/FM Stereo with Multi-Disc CD Changer
- GPS Navigation System
- Auxiliary Audio Input in Cockpit Area
- Color Rear Vision System with Audio SEE-Vision Security Cameras
- CB Radio Prep
- Recessed Slide-Out Dash Workstation
- Manual Privacy Drape
- Power Front Sunvisors
- Pilot and Co-Pilot Side Window Manual Sunscreens
- Power Driver's Side Window
- Adjustable Brake and Accelerator Pedals
- Lighted VIP Smartwheel®
- Cruise Control Light on Dash
- 6-Way Power Pilot and Co-Pilot Seats with Electric Heat and Lumbar; Electric Sliding Seat Cushion and Memory Capabilities on Pilot Seat; Power Footrest on Co-Pilot Seat
- 12V and 110V Outlet at Dash

OPTIONS

- Interior Cockpit Sunscreens
- Electric Privacy Drape
- Power Cockpit Window Blinds
- Electric Cockpit Solar Screens with Blackout Shades
- CB Radio
- XM Satellite Stereo (Requires Subscription)
- Sirius Satellite Radio System (Requires Subscription)

APPLIANCES AND ACCESSORIES: FEATURES

- 17 Cu. Ft. Four-Door Refrigerator with Raised Panel Doors
- Recessed High-Output 2-Burner Cooktop with Flush-Mounted Covers
- Spacesaver Convection Microwave with Touch Control
- Electric TV Antenna
- KVH-R5 Digital Satellite System
- 37" LCD TV Mounted in Living Area Overhead (N/A: Bismarck IV)
- 37" LCD TV in Living Room Hutch (Bismarck IV)
- 20" LCD TV in Bedroom
- Home Theater System with DVD/CD Player
- Bedroom DVD Player
- Universal Remote System for Living Area TV

OPTIONS

- Residential Refrigerator with Additional Batteries
- Stainless Steel Refrigerator
- Combination Washer/Dryer
- Stackable Washer/Dryer
- Central Vacuum System
- Dishwasher Drawer (N/A: Caspian IV)
- 32" LCD TV in Bedroom
- Bose® Wave Radio in Bedroom
- KVH-R6 In-Motion Digital Satellite System with HD-Ready Receiver
- Exterior 32" LCD TV

INTERIOR: FEATURES

- Stained or Natural Oak Cabinetry
- Dinette Wall Cabinet with Corian® Top, Built-In Storage Area for Kitchen Countertop Covers
- Low-Friction Roller Drawer Guides
- Recessed Ceiling Design
- Solid Surface Countertops Throughout
- Integrated Sinks in Vanity and Galley
- Backlit, Etched Glass Backsplash in Galley and Vanity (N/A with Ralph Lauren)
- Glass Splash Guard at Living Room Side of Kitchen Countertop
- Day/Night Shades with Blackouts in Bedroom
- Mini Blinds in Kitchen and Bathroom
- Four-Compartment Drawer Organizer in Galley
- Tile Aisle from Cockpit to Galley Area with Sculptured Carpeting on Each Side in Living Area
- Ceramic Tile in Kitchen, Bath and Cockpit Area
- Nightstands with Solid Surface Countertops
- Solid Surface Windowsills in Living Area
- Recessed Galley Area Surround Sound Speakers in Ceiling
- Satin Nickel/Polished Brass on Hardware Throughout

OPTIONS

- Decors: Copper Canyon II, Stonington Gray II
- Ralph Lauren Decors: Landsdown II, Black Pearl, Windermere
- Stained or Natural Cherry Cabinets, or Natural Maple Cabinets
- Ceiling Fan in Bedroom
- Powered Blinds Living Area
- Solar Screens with Blackout Shades Throughout
- Full-Tile Living Room Floor
- Plank Flooring in Kitchen, Bath and Entry

FURNITURE: FEATURES

- Legless Side-Slide Solid Surface Dinette Table with Two Freestanding Dinette Chairs and Two Folding Chairs
- Fabric/Leather Jackknife Sleeper Sofa
- Leather J-Lounge
- Additional Bedroom Wardrobe (Caspian IV)
- Queen Bed with Pillowtop-Hinged Mattress

OPTIONS

- King Bed (72" x 80")
- King Air Mattress with Remote
- Computer Desk with Leather Euro-Recliner and Ottoman
- Curbside: Leather Hide-A-Bed
- Curbside: Leather Hide-A-Bed with Air Mattress
- Curbside: Leather Sleeper Sofa
- Curbside: Fabric/Leather J-Lounge
- Roadside: Leather Sleeper Sofa
- Fabric/Leather Sectional Booth Dinette Ensemble
- Two Folding Chairs with Sectional Booth Dinette Ensemble

ELECTRICAL SYSTEMS AND LIGHTS: FEATURES

- 50 Amp 120/240V Distribution Panel and Power Cord
- Power Cord Reel
- Pilot and Co-Pilot Map Lights
- Onan® 10.0 kW Generator on Power Slide-Out Tray with Auxiliary Start Switch and Automatic Temperature Start
- 2,800 Watt Pure Sine Wave Inverter with Auto Generator Start and Automatic Temperature Start
- Switches for Bedroom Decorative Lights on Both Sides of Bed
- Accent Rope Lighting Throughout Coach
- Lighted Utility Center
- Underhood Utility Light
- 120V Outlet in Private Bath
- 120V Outlet in Bed Base
- 120V Receptacles in Outside Storage Compartment
- Lighted Exterior Storage Compartments
- Two 6V Deep Cycle Coach Batteries
- Two 12V Deep Cycle Chassis Batteries
- Surge Guard Automatic Transfer Switch
- Multiplex 12V Wiring for Dash/Instrument Panel Gauges and Interior of Coach
- Locking Battery Disconnect Switch inside Coach
- Powder Coated Generator Exhaust Pipe
- Battery Boost Switch
- Electronic Controls in Passenger Overhead
- Multiplex Switches Throughout Coach
- Rope Lighting in Living Room and Bedroom Valances; under Galley and Bedroom Toe Kicks
- Courtesy Lighting in Stepwell and Bedroom
- Front and Rear Electrical Run Boxes
- 12V Distribution Panel

OPTIONS

- Solar Panel (100 Watt)

PLUMBING AND LP SYSTEMS: FEATURES

- Central Water Filtration System in Service Bay
- Manabloc Water System for Entire Coach
- Insulated Systems Compartment with Easy Access to Hook-Up
- Water Pump Switch in Galley, Bathroom, and Service Bay
- China Toilet (N/A with Rear Bath Toilet)
- Super Service Center
- Solid Surface Shower with Accent Color and Shower Caddy
- RV Sani-Con Tank Drainage System
- Shower Head Volume Control
- Black Holding Tank Rinsing System
- Outside Faucet with Hot and Cold Water
- Power Water Hose Reel
- Soap Dispenser in Kitchen

OPTIONS

- Insta-Hot® Water System
- Bathtub

HEATING, VENTS AND AIR CONDITIONING: FEATURES

- Aqua-Hot® Heating System
- Three Low-Profile Ducted 15,000 BTU Roof A/C with Wall Thermostat and Heat Pump
- Electronic AC/Heat Climate Control System
- Center Defroster Vents
- 12V Attic Fan with Wall Thermostat in Private Lavatory and Galley

OPTIONS

- Galley Low-Profile 110V Baseboard Heater

H O L I D A Y R A M B L E R . C O M

Log on to our website anytime, night or day. It's your link to everything Holiday Rambler, including product news and updates, club events, dealer and service center info and much more. Take it for a test drive today.



WINDOWS, DOORS AND AWNINGS: FEATURES

- Flush-Mounted Radius Dual Pane Safety Glass Dark Tinted Windows
- Front Entry Door with Air Seal and Removable Top Screen
- Keyless Remote Entry System with Pocket Remote
- Tinted Skylight in Bathroom
- Topper Awnings on Slide-Out Houses
- Carefree® Manual Window Awnings
- Roof-Mounted Girard® Automatic Front Patio Awning

OPTIONS

- Girard® Automatic Front Door Awning
- Girard® Automatic Window Awnings
- Roof-Mounted Girard® Automatic Rear Patio Awning

SAFETY: FEATURES

- Back-Up Alarm
- Fire Extinguisher
- Deadbolt Lock on Entrance Door
- Lighted Interior and Exterior Grab Handles
- 120V GFI Protected Circuit (Kitchen, Bath, Service Bay)
- LP Gas Detector
- Smoke Detector
- Carbon Monoxide Detector
- Integrated Pilot and Co-Pilot Three-Point Seatbelts
- Third Brake Safety Light
- Egress Windows

OPTIONS

- Security Safe
- Deluxe Security Alarm System
- Collision Avoidance System

Due to continuous product improvement, please see the website for the latest in standards and options, specifications, and technical data. Go to www.holidayrambler.com.

Weights (Lbs.)*	Baltic IV	Bismarck IV	Caspian IV
Gross Vehicle Weight Rating	50,160	50,160	50,160
Gross Combined Weight Rating	60,160	60,160	60,160
Gross Axle Weight Rating (Front)	15,160	15,160	15,160
Gross Axle Weight Rating (Rear)	23,000	23,000	23,000
Tag Axle Weight Rating (Lbs.)	12,000	12,000	12,000
Measurements			
Wheelbase	284"	284"	284"
Overall Length	44' 10"	44' 10"	44' 10"
Overall Height (12' 8" to Top of Satellite)	12' 6"	12' 6"	12' 6"
Interior Height (Increased Height)	84"	84"	84"
Interior Width	96"	96"	96"
Exterior Width	100.5"	100.5"	100.5"
Tank Capacity (Gal.)**			
Gray Tank	70	70	70
Black Tank	40	40	40
Fresh Tank	100	100	100
Fuel Tank	150	150	150
LP Tank***	25	25	25

* Towing capacity is limited by GCWR; your vehicle's towing capacity is the difference between the GCWR and the actual vehicle weight, including all water, fuel, passengers and cargo. Your towed vehicle should be equipped with auxiliary brakes if the weight of the towed vehicle exceeds 1,000 lbs. Consult your Owner's Manual for further towing information.

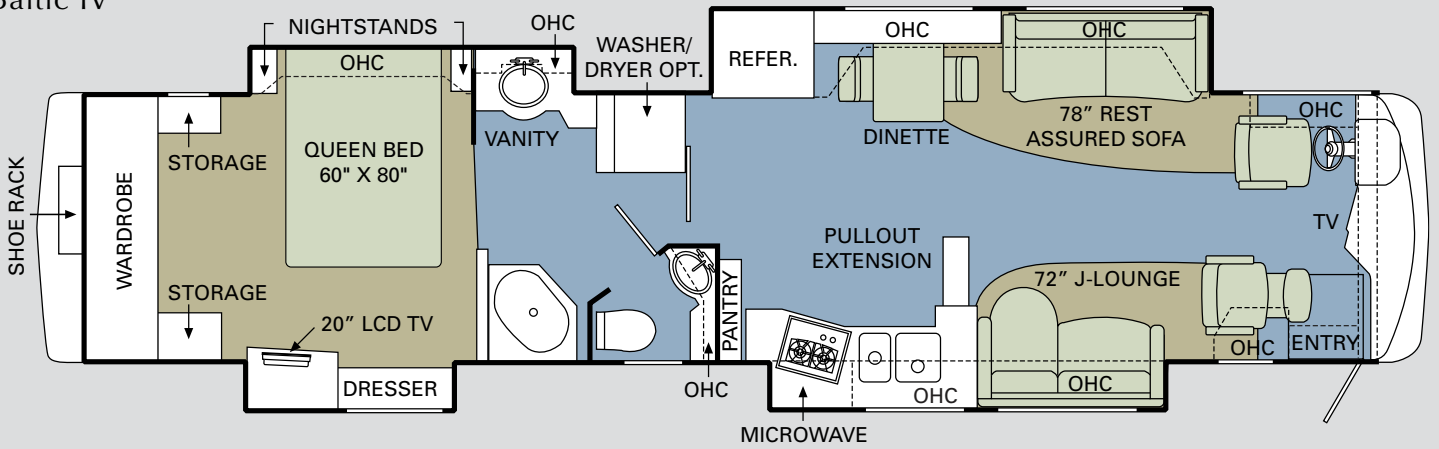
** All tank capacities are estimated based upon calculations provided by the tank manufacturers and represent approximate capacities. The actual "usable capacity" may be greater or less than the estimated capacities based upon fabrication and installation of the tanks.

*** Actual filled LP capacity is 80% of listing due to safety shut-off required on tank.

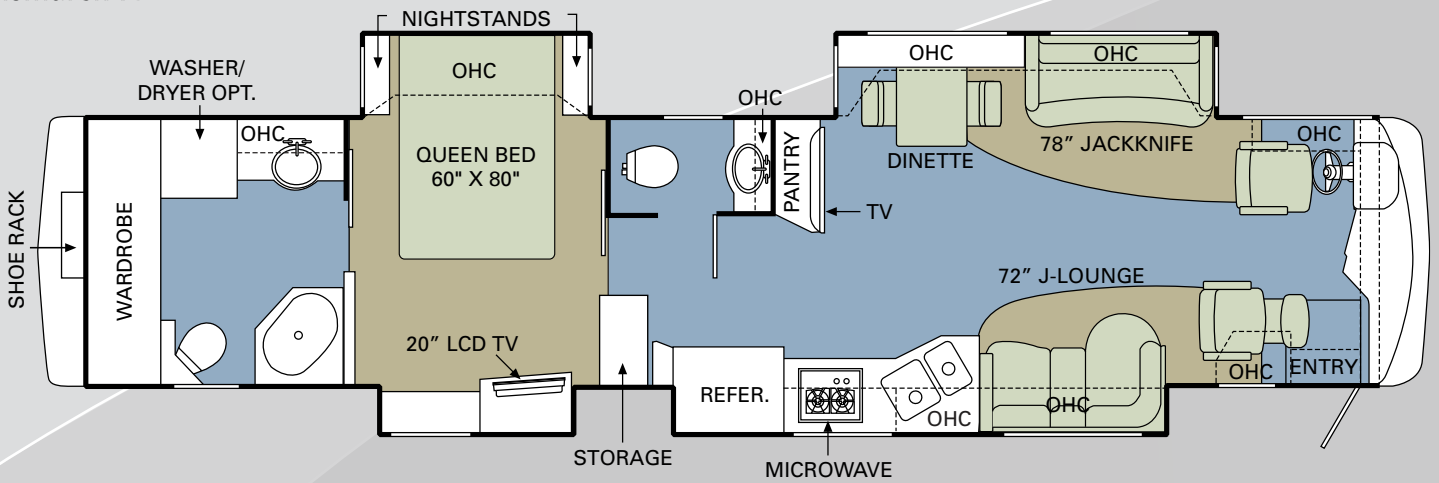
The actual overall length of the recreational vehicle may differ from that indicated in the brochure due to variances in the manufacturing process and/or installed components. The actual length may be greater or less than that indicated. Due to the large variety of options and floorplan arrangements available to our customers, actual weights for each unit can differ significantly. Holiday Rambler provides a weight sticker on each unit we produce which includes that unit's tank capacities and approximate weight. Consult your local Holiday Rambler dealer for unit availability and further information. The information printed in this brochure reflects product design, fabrication, and component parts at the date of printing. The manufacturer reserves the right, at any time, to make changes in product design or material or component specifications as its sole option, without notice. This includes the substitution of components of a different brand or trade name which will result in comparable performance. All information printed in this brochure is subject to change after the date of printing. Some features shown or mentioned in this brochure are optional and may only be available in selected floorplans. Photographs may show props or decorations that are not standard equipment on Holiday Rambler models. Holiday Rambler, the Holiday Rambler logo and its design, are registered trademarks. All other products and company names are trademarks and/or registered trademarks of their respective holders. While the color of the motorhome's exterior and the interior fabrics depicted in this sales brochure are fair and reasonable depictions, the colors depicted may not be an exact match of the actual colors because of the variances in photo-processing and variances caused by inserting the photographs within the sales brochure. Due to product improvements, changes during the model year and/or transcription errors that may occur, information represented within this brochure may not be accurate at the time of your purchase. If certain information is significant to your purchasing decision, please confirm the information with your dealer prior to submitting your order. Component part and appliance manufacturers issue limited warranties covering those portions of the recreational vehicle not covered by the Limited Warranties issued by Monaco Coach Corporation. To learn which specific component parts and appliances are excluded from the Limited Warranties issued by Monaco Coach Corporation, please contact your selling dealership or Monaco Coach Corporation directly, or review the warranty packet inside the recreational vehicle.

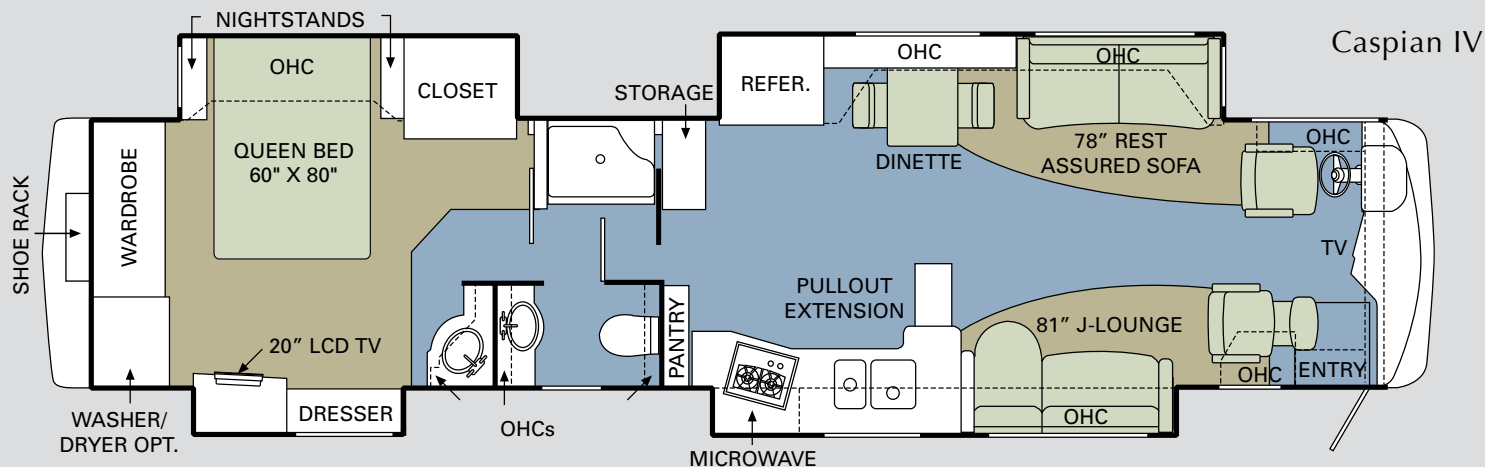
2008 FLOORPLANS ■ CARPET ■ TILE

Baltic IV



Bismarck IV





ASSISTANCE

SALES • TECH • ROADSIDE



WE'RE HERE. ANYTIME, EVERY TIME.

- Reach us anytime — literally — via our live customer support line.
- Drive in to one of our 350 Service Centers.
- Enjoy the first year free when you enroll in our Owner Advantage Roadside Assistance Program.
- See where it all begins with a tour of one of our facilities in Indiana or Oregon. Call 1-800-650-7337 or 1-800-634-0855 to find out more.



NAVIGATOR®
2008

BEING DIFFERENT MAKES ALL THE DIFFERENCE.

At Monaco Coach Corporation, we always strive to be the best. And that means thinking outside the box. Giving you more of what you want in an RV. Like our exclusive Roadmaster chassis. PanaSuite™ full-wall slides. And programs like Monaco Financial Services and 24/7 roadside assistance. No other manufacturer can match Monaco's offerings. No one even comes close. Why not discover the difference for yourself? Visit www.monacodifferent.com.

**"No other manufacturer can match Monaco's offerings.
No one even comes close."**



WARRANTIES

12 MONTH/24,000 MILE basic limited warranty

5 YEAR/50,000 MILE limited warranty on aluminum or steel frame structure of sidewall, roof, front and rear cap

3 YEAR/50,000 MILE limited warranty on Roadmaster chassis

Applies to certain models. See owner's manual for complete details.



HOLIDAY RAMBLER®

This is Living®



MONACO COACH CORPORATION

606 Nelson's Parkway Wakarusa, IN 46573
www.holidayrambler.com | 800-245-4778



Monaco is traded on the New York Stock Exchange under the listing MNC.
© 2007, Monaco Coach Corporation 08/07 NPN: BROHNAV Litho in USA.